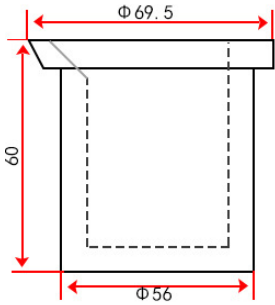


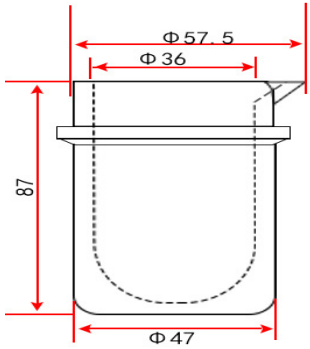
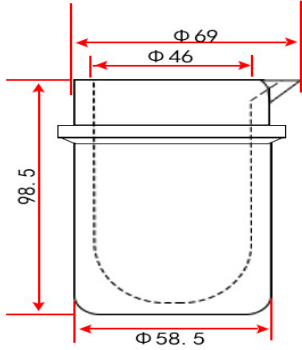
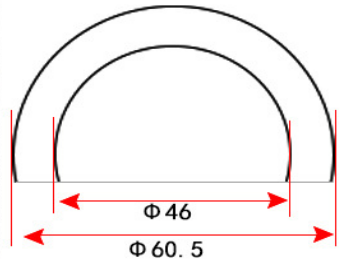
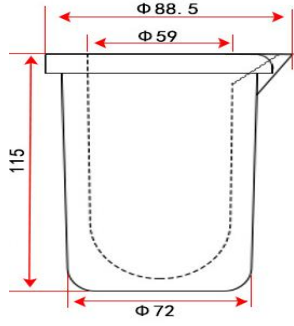
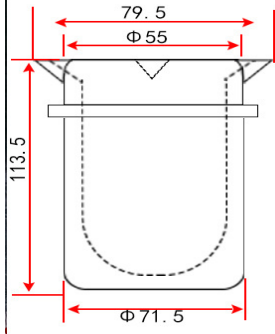


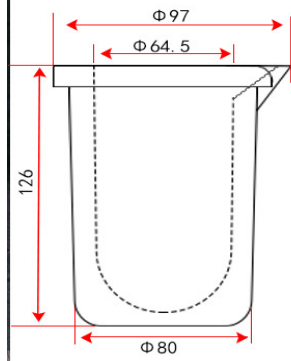
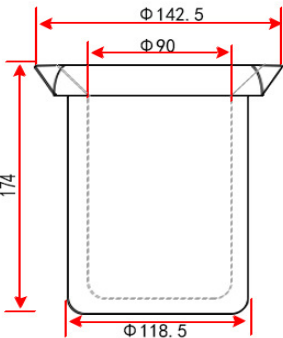
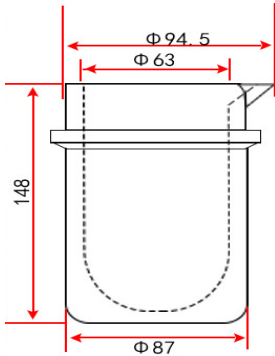
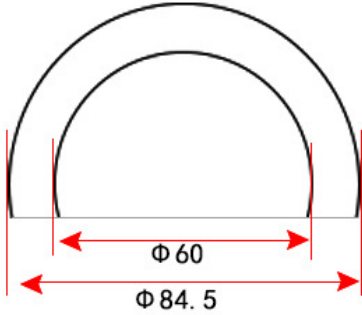


Melting crucible 1

Model(Detals)	Drawing	Picture
SBC02300G Capacity :300ml Weight :173ml		<p> SCJcermic.com  Laboratory ceramic </p> 
SBC01700G Capacity :700ml Weight:153g Size:mm		<p> www.scjceramic.com Email:yolanda@scjceramic.com </p> <p> Crucible lid Capactiry 1kg/2kg weight :27g Size :mm </p>
SBC0111G Capacity :1KGml Weight:299g Size:mm		
SBC022KG Capacity :2KGml Weight:153g Size:mm		

Melting crucible 2

Model(Detals)	Drawing	Picture
<p>SBC042KG Capacity :2KGml Weight :400g Size :mm</p>		<p>SCJcermic.com </p> <p>Laboratory ceramic</p>  <p>www.scjceramic.com Email:yolanda@scjceramic.com</p>
<p>SBC023KG Capacity :3KGml Weight:507g Size:mm</p>		<p>Crucible lid Capactiry: 3kg/4kg weight :27g Size :mm</p> 
<p>SBC014KG Capacity :4KGml Weight:935g Size:mm</p>		
<p>SBC036KG Capacity :6KGml Weight:2244g Size:mm</p>	