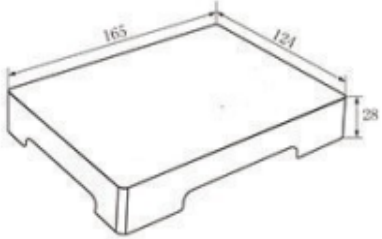


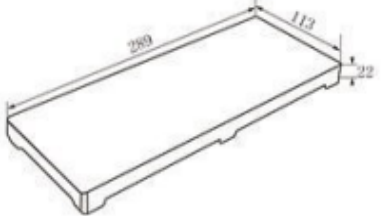
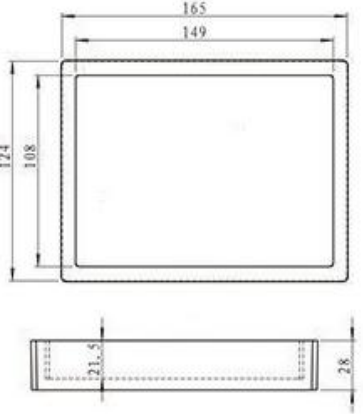




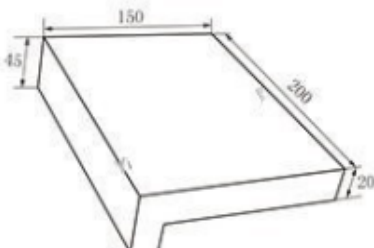


Ceramic soldering plate 1

Model(Details)	Drawing	Picture
<p>SBD01 Ceramic soldering plate with 4 feet Weight :357g</p>		<p>SCJcermic.com </p> <p>Laboratory ceramic</p>  <p>Ceramic Soldering Plate with 4 feet</p>
<p>SBD02 Ceramic soldering plate with 6 feet Weight :860g</p>		<p>www.scjceramic.com Email:yolanda@scjceramic.com</p>
<p>SBD03 Ceramic Flat soldering plate Weight :402g</p>		<p>Select fused silica as the main raw material, made of modern ceramic technology processing,It is mainly used for mainly for platinum, gold and other high temperature alloy melt, widely use in melting gold &silver for jewelry casting industry ,it is high purity, resistance to erosion, the main ingredient of SiO₂ content 99.7%, impurity (K₂O, Na₂O, Fe₂O₃) content ≤0.10%,</p>

Ceramic soldering plate 2

Model(Details)	Drawing	Picture
<p>SBD04 ceramic soldering plate Weight :1472g</p>		<p>SCJcermic.com </p> <p>Laboratory ceramic</p>  <p>Ceramic Soldering Plate with 6 feet</p> <p>www.scjceramic.com Email:yolanda@scjceramic.com</p>
<p>SBD05 Long Ceramic soldering plate Weight :764g</p>		<p>Select fused silica as the main raw material, made of modern ceramic technology processing, it is mainly used for mainly for platinum, gold and other high temperature alloy melt, widely use in melting gold & silver for jewelry casting industry, it is high purity, resistance to erosion, the main ingredient of SiO₂ content 99.7%, impurity (K₂O, Na₂O, Fe₂O₃) content ≤0.10%,</p>
<p>SBD06 L Ceramic soldering plate Weight :1473g</p>		
<p>SBD07 Ceramic Cove Weight :735g</p>	